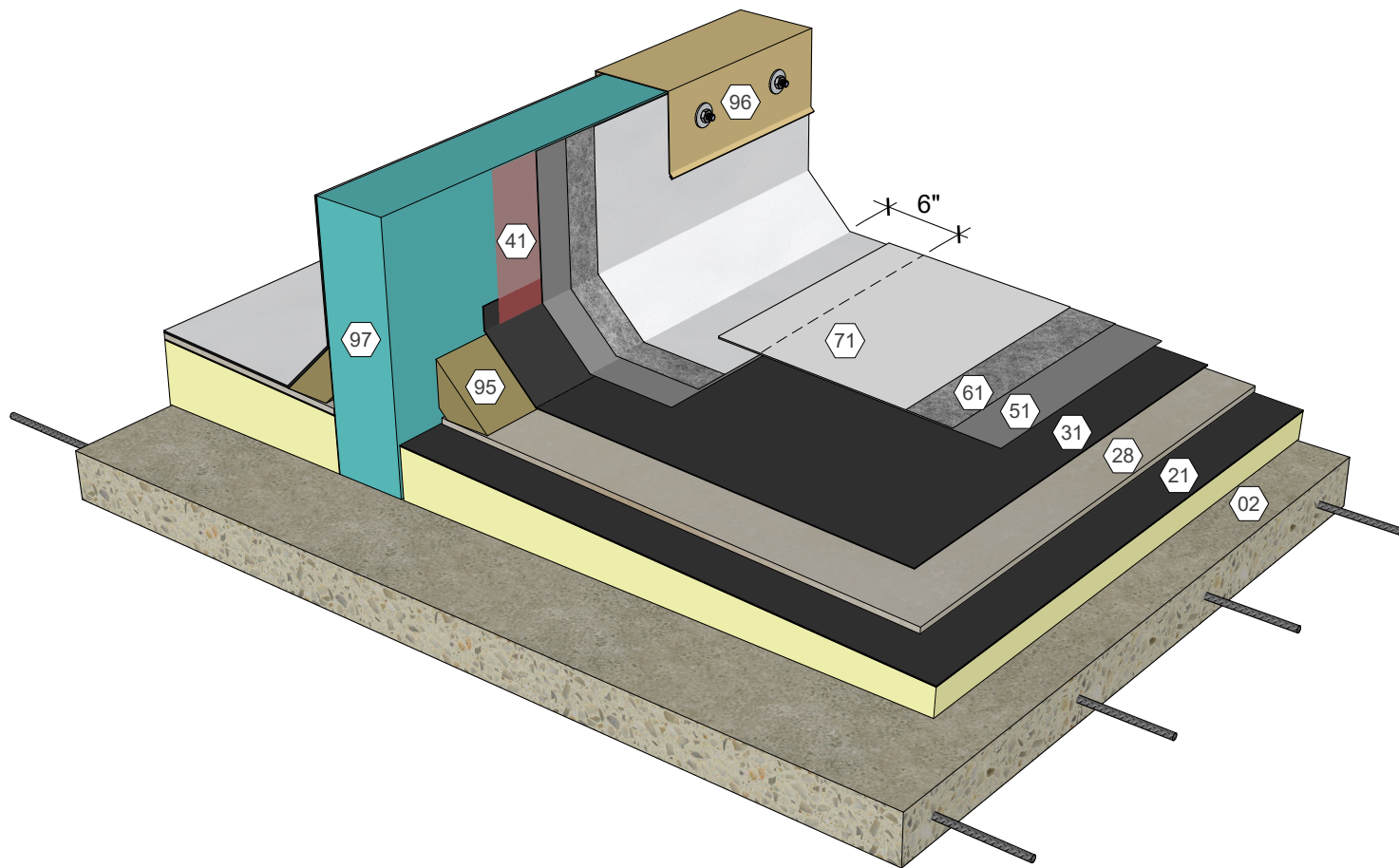


KEY NOTES

- 01 Metal Deck
- 09 Roof Structure
- 22 Polyisocyanurate Insulation (Fastened or Adhered)
- 28 Cover Board (Adhered)
- 31 Approved Base Ply Sheet
- 41 Approved Primer
- 51 AlphaGuard MT/MTS Base Coat
- 61 AlphaGuard Glass Mat or Permafab
- 71 AlphaGuard MT/MTS Top Coat
- 95 Cant Strip
- 96 Metal Coping
- 97 Prefabricated Curb

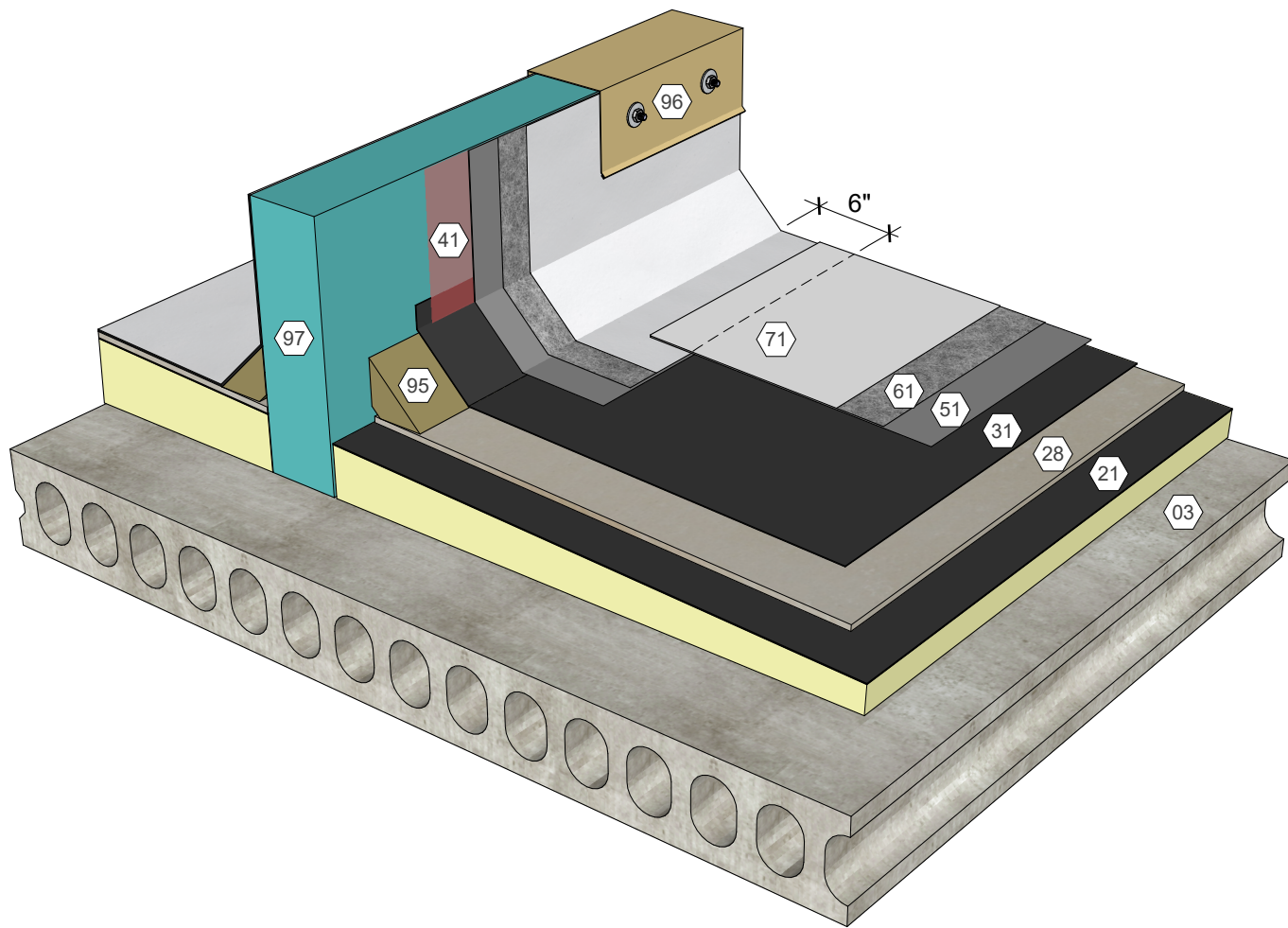
AlphaGuard® MT/MTS Plus Equipment Support Detail, Metal Deck
Detail 22101



KEY NOTES

- 02 Structural Concrete Deck
- 21 Polyisocyanurate Insulation (Adhered)
- 28 Cover Board (Adhered)
- 31 Approved Base Ply Sheet
- 41 Approved Primer
- 51 AlphaGuard MT/MTS Base Coat
- 61 AlphaGuard Glass Mat or Permafab
- 71 AlphaGuard MT/MTS Top Coat
- 95 Cant Strip
- 96 Metal Coping
- 97 Prefabricated Curb

AlphaGuard® MT/MTS Plus Equipment Support Detail, Structural Concrete Deck
Detail 22102



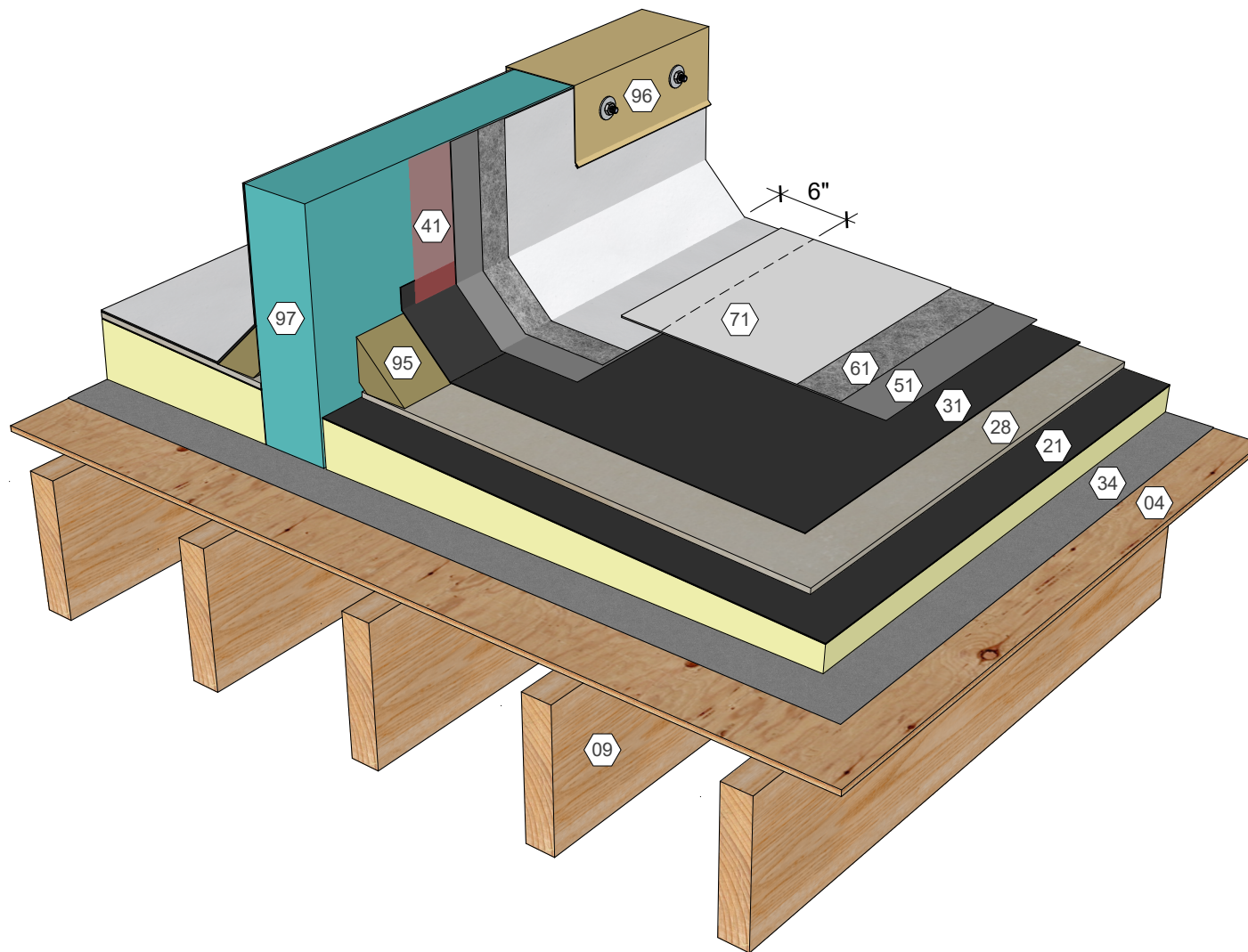
KEY NOTES

- 03 Precast Concrete Deck
- 21 Polyisocyanurate Insulation (Adhered)
- 28 Cover Board (Adhered)
- 31 Approved Base Ply Sheet
- 41 Approved Primer
- 51 AlphaGuard MT/MTS Base Coat
- 61 AlphaGuard Glass Mat or Permafab
- 71 AlphaGuard MT/MTS Top Coat
- 95 Cant Strip
- 96 Metal Coping
- 97 Prefabricated Curb

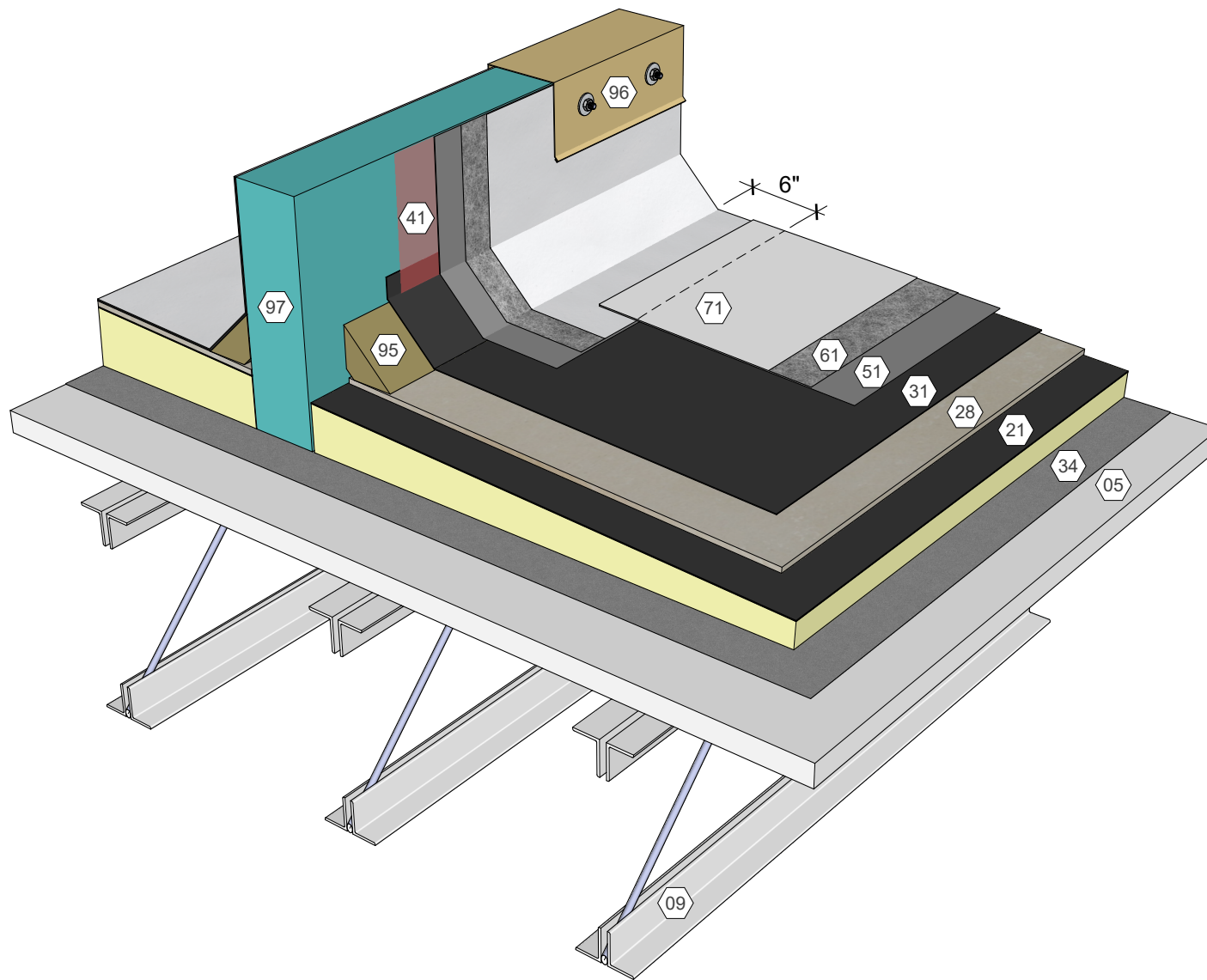
AlphaGuard® MT/MTS Plus Equipment Support Detail, Precast Concrete Deck
 Detail 22103

KEY NOTES

- 04 Wood Deck
- 09 Roof Structure
- 21 Polyisocyanurate Insulation (Adhered)
- 28 Cover Board (Adhered)
- 31 Approved Base Ply Sheet
- 34 Base Sheet (Fastened)
- 41 Approved Primer
- 51 AlphaGuard MT/MTS Base Coat
- 61 AlphaGuard Glass Mat or Permafab
- 71 AlphaGuard MT/MTS Top Coat
- 95 Cant Strip
- 96 Metal Coping
- 97 Prefabricated Curb



AlphaGuard® MT/MTS Plus Equipment Support Detail, Wood Deck
Detail 22104



KEY NOTES

- 05 Gypsum Deck
- 09 Roof Structure
- 21 Polyisocyanurate Insulation (Adhered)
- 28 Cover Board (Adhered)
- 31 Approved Base Ply Sheet
- 34 Base Sheet (Fastened)
- 41 Approved Primer
- 51 AlphaGuard MT/MTS Base Coat
- 61 AlphaGuard Glass Mat or Permafab
- 71 AlphaGuard MT/MTS Top Coat
- 95 Cant Strip
- 96 Metal Coping
- 97 Prefabricated Curb

AlphaGuard® MT/MTS Plus Equipment Support Detail, Gypsum Deck
 Detail 22105